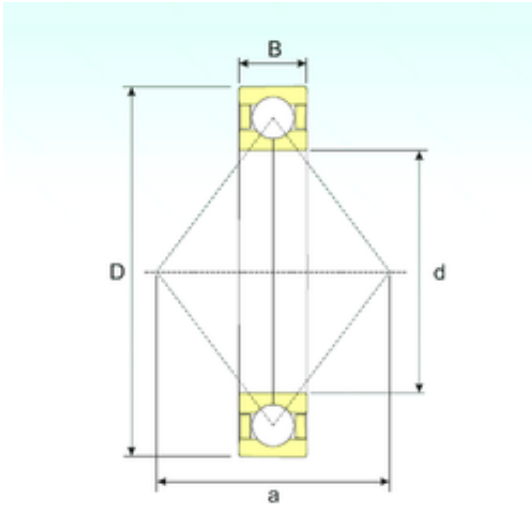




ASAHI FORGE OF AMERICA BEARING CORP.



95 mm x 170 mm x 32 mm ISB QJ 219 N2 M
angular contact ball bearings

Bearing No. QJ 219 N2 M

Size	95x170x32 mm
Bore Diameter	95 mm
Outer Diameter	170 mm
Width	32 mm
d	95 mm
D	170 mm
B	32 mm
C	32 mm
a	93 mm
Weight	3,35 Kg
Basic dynamic load rating (C)	207 kN
Basic static load rating (C0)	227 kN
(Grease) Lubrication Speed	5125 r/min

QJ 219 N2 M Bearing 2D drawings and 3D CAD models