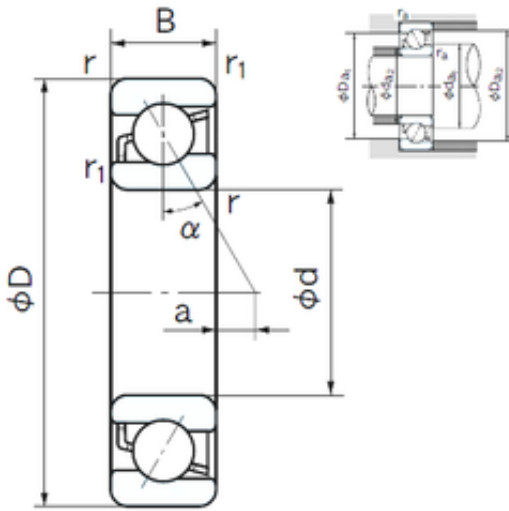




ASAHI FORGE OF AMERICA BEARING CORP.



30 mm x 72 mm x 19 mm NACHI 7306B
angular contact ball bearings

Bearing No. 7306B

7306B Bearing 2D drawings and 3D CAD models

Size	30x72x19 mm
Bore Diameter	30 mm
Outer Diameter	72 mm
Width	19 mm
d	30 mm
D	72 mm
B	19 mm
C	19 mm
Angle (°)	40 °
a	11.9 mm
r min.	1.1 mm
r1 min.	0.6 mm
da min.	37 mm
Da max.	65 mm
ra max.	1 mm
Weight	0.360 Kg
Basic dynamic load rating (C)	32 kN
Basic static load rating (C0)	21 kN
(Grease) Lubrication Speed	7500 r/min
Category	Angular Contact Ball Bearings
Inventory	0.0
Manufacturer Name	NACHI
Minimum Buy Quantity	N/A
Weight / Kilogram	0.359



ASAHI FORGE OF AMERICA BEARING CORP.

EAN	4991893847994
Product Group	B00308
Enclosure	Open
Flush Ground	No
Rolling Element	Ball Bearing
Number of Rows of Balls	Single Row
Precision Class	ABEC 1 ISO P0
Maximum Capacity / Filling Slot	No
Snap Ring	No
Cage Material	Steel
Contact Angle	40 Degree
Internal Clearance	C0-Medium
Number of Bearings	1 (Single)
Inch - Metric	Metric
Long Description	30MM Bore; 72MM Outside Diameter; 19MM Width; Open; No Flush Ground; Ball Bearing; Single Row of Balls; ABEC 1 ISO P0; No Filling Slot; No Snap Ring
Category	Angular Contact Ball Bearing
UNSPSC	31171531
Harmonized Tariff Code	8482.10.50.28
Noun	Bearing
Keyword String	Angular Contact
Manufacturer URL	http://www.nachi.com
Manufacturer Item Number	7306 B BNLS
Weight / LBS	0.79
Outside Diameter	2.835 Inch 72 Millimeter
Bore	1.181 Inch 30 Millimeter
Width	0.748 Inch 19 Millimeter
Configuration	Single Row



ASAHI FORGE OF AMERICA BEARING CORP.

Bore Type	Cylindrical Bore
Bore Size	30 mm
Fillet Radius/Chamfer	1.1 mm
r1	0.6 mm
Dynamic Load Rating	32,000 N
Static Load Rating	21,000 N
Limiting Speed - Grease	7,500 rpm
Limiting Speed - Oil	10,000 rpm
da1 (min)	37 mm
da2 (min)	35 mm
Da1 (max)	65 mm
Da2 (max)	67 mm
ra (max)	1 mm
ra1 (max)	0.6 mm