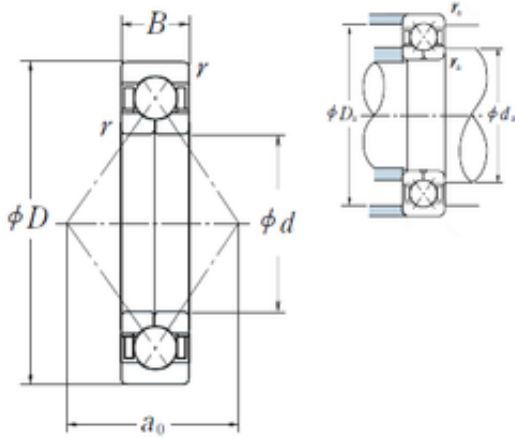




# ASAHI FORGE OF AMERICA BEARING CORP.



160 mm x 240 mm x 38 mm NSK QJ 1032  
angular contact ball bearings

Bearing No. QJ 1032

Size	160x240x38 mm
Bore Diameter	160 mm
Outer Diameter	240 mm
Width	38 mm
d	160 mm
D	240 mm
B	38 mm
C	38 mm
Angle ( ° )	35 °
a	140 mm
r min.	2,1 mm
da min.	172 mm
da max	228 mm
ra max.	2 mm
Weight	6,4 Kg
Basic dynamic load rating (C)	224 kN
Basic static load rating (C0)	580 kN
(Grease) Lubrication Speed	1 900 r/min

QJ 1032 Bearing 2D drawings and 3D CAD models