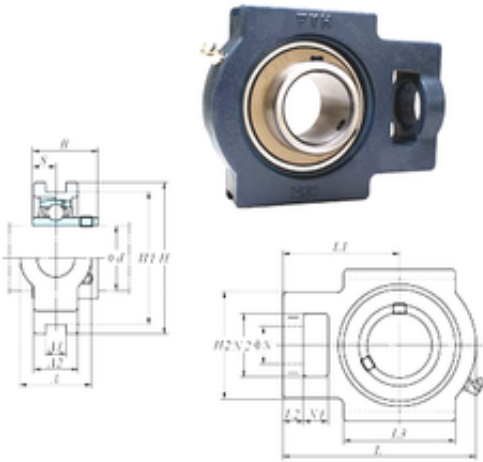




ASAHI FORGE OF AMERICA BEARING CORP.

FYH UCT204 bearing units

Bearing No. UCT204



UCT204 Bearing 2D drawings and 3D CAD models

| | |
|-------------------------------|-------------------------|
| Bore Diameter | 20 mm |
| d | 20 mm |
| L2 | 10 mm |
| L3 | 51 mm |
| A | 32 mm |
| A1 | 12 mm |
| B | 31 mm |
| H | 89 mm |
| H1 | 76 mm |
| H2 | 51 mm |
| L | 94 mm |
| L1 | 61 mm |
| N | 19 mm |
| N1 | 16 mm |
| S | 12,7 mm |
| A2 | 21 mm |
| N2 | 32 mm |
| Weight | 0,76 Kg |
| Basic dynamic load rating (C) | 12,8 kN |
| Basic static load rating (C0) | 6,65 kN |
| Category | Mounted Units & Inserts |
| Inventory | 0.0 |
| Manufacturer Name | FYH BEARING UNITS |
| Minimum Buy Quantity | N/A |
| Weight / Kilogram | 0 |
| Product Group | M06110 |



ASAHI FORGE OF AMERICA BEARING CORP.