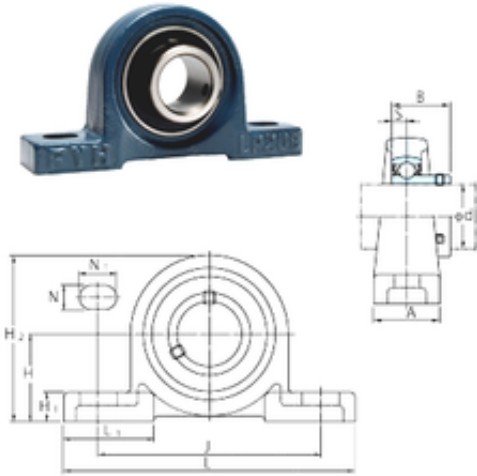




ASAHI FORGE OF AMERICA BEARING CORP.

FYH BLP205-15 bearing units

Bearing No. BLP205-15



BLP205-15 Bearing 2D drawings and 3D CAD models

Bore Diameter	23,8125 mm
Width	27 mm
d	23,8125 mm
A	29 mm
B	27 mm
H	36,5 mm
H1	13 mm
H2	71 mm
J	100 mm
L	130 mm
L1	39 mm
N	11 mm
N1	16 mm
S	7,5 mm
Bolt (G)	M10
Weight	0,57 Kg
Basic dynamic load rating (C)	14 kN
Basic static load rating (C0)	7,85 kN