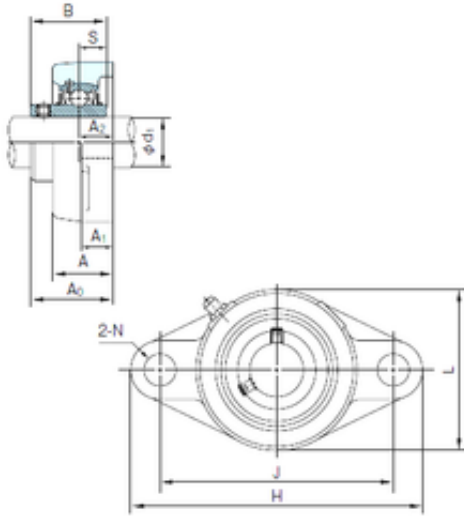




ASAHI FORGE OF AMERICA BEARING CORP.



UCFLX06 Bearing 2D drawings and 3D CAD models

NACHI UCFLX06 bearing units

Bearing No. UCFLX06

Bore Diameter	30 mm
d1	30 mm
A0	44.4 mm
A	34 mm
A1	14 mm
B	42.9 mm
H	156 mm
J	130 mm
L	95 mm
N	16 mm
S	17.5 mm
Bolt (G)	M14
A2	19 mm