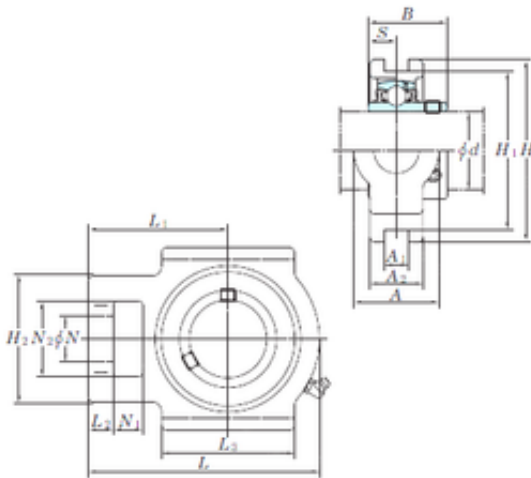




ASAHI FORGE OF AMERICA BEARING CORP.



UCT211 Bearing 2D drawings and 3D CAD models

KOYO UCT211 bearing units

Bearing No. UCT211

Bore Diameter	55 mm
d	55 mm
L2	19 mm
L3	95 mm
A	64 mm
A1	22 mm
B	55,6 mm
H	146 mm
H1	130 mm
H2	102 mm
L	171 mm
L1	106 mm
N	35 mm
N1	25 mm
S	22,2 mm
A2	38 mm
N2	64 mm
Weight	4 Kg
Basic dynamic load rating (C)	43,4 kN
Basic static load rating (C0)	29,4 kN
Bearing No.	UCT211
Cr	43.4
C0r	29.4
f0	14.4
(Refer.)Unit mass(kg)	4.0
Nipple size	R1/8



ASAHI FORGE OF AMERICA BEARING CORP.