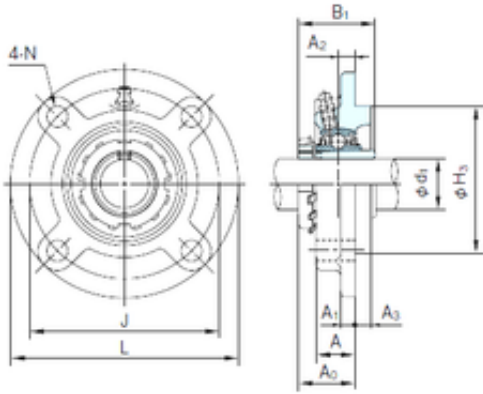




# ASAHI FORGE OF AMERICA BEARING CORP.

## NACHI UKFC217+H2317 bearing units



Bearing No. UKFC217+H2317

Bore Diameter	75 mm
d1	75 mm
H3	180 mm
A0	59 mm
A	45 mm
A1	20 mm
B1	82 mm
J	208 mm
L	250 mm
N	23 mm
Bolt (G)	M20
A2	18 mm
A3	18 mm

UKFC217+H2317 Bearing 2D drawings and 3D CAD models