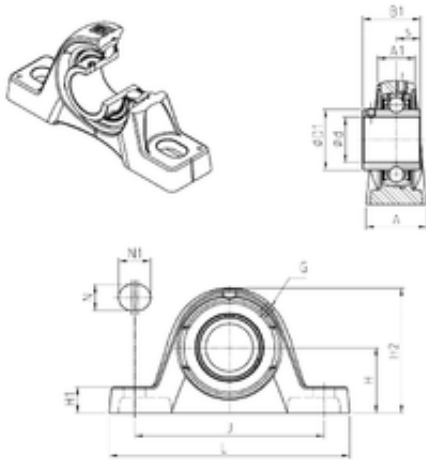




ASAHI FORGE OF AMERICA BEARING CORP.



SNR UCPLE205 bearing units

Bearing No. UCPLE205

Bore Diameter	25 mm
d	25 mm
s	14,3 mm
A	36,5 mm
A1	24,5 mm
B1	34 mm
D1	34 mm
H	33,3 mm
H1	12,8 mm
H2	67,8 mm
J	104,2 mm
L	139 mm
N	11 mm
N1	17 mm
Thread (G)	M6x1
Weight	0,7 Kg
Basic dynamic load rating (C)	14 kN

UCPLE205 Bearing 2D drawings and 3D CAD models