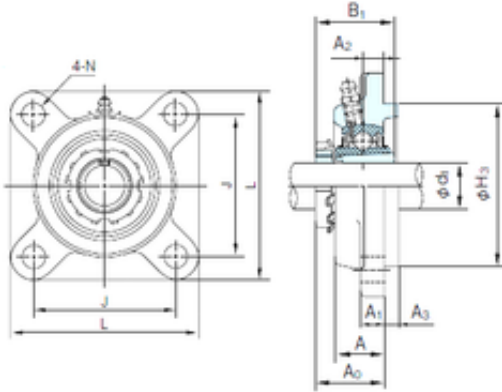




# ASAHI FORGE OF AMERICA BEARING CORP.

## NACHI UKFS305+H2305 bearing units



Bearing No. UKFS305+H2305

Bore Diameter	20 mm
d1	20 mm
H3	80 mm
A0	30 mm
A	22 mm
A1	13 mm
B1	35 mm
J	80 mm
L	110 mm
N	16 mm
Bolt (G)	M14
A2	9 mm
A3	7 mm

UKFS305+H2305 Bearing 2D drawings and 3D CAD models