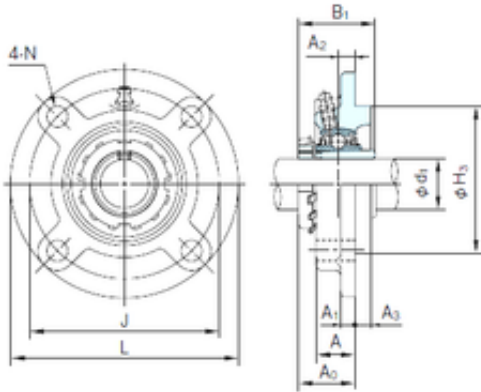




ASAHI FORGE OF AMERICA BEARING CORP.

NACHI UKFCX09+H2309 bearing units



Bearing No. UKFCX09+H2309

Bore Diameter	40 mm
d1	40 mm
H3	108 mm
A0	34.5 mm
A	25 mm
A1	11 mm
B1	50 mm
J	130 mm
L	155 mm
N	14 mm
Bolt (G)	M12
A2	8 mm
A3	12 mm

UKFCX09+H2309 Bearing 2D drawings and 3D CAD models