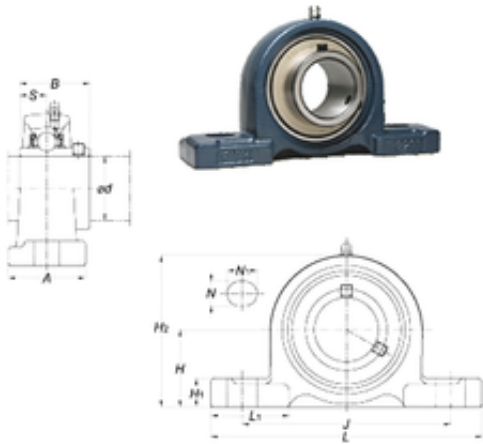




ASAHI FORGE OF AMERICA BEARING CORP.

FYH UCPX11 bearing units



Bearing No. UCPX11

Bore Diameter	55 mm
Width	65,1 mm
d	55 mm
A	79 mm
B	65,1 mm
H	69,8 mm
H1	28 mm
H2	139 mm
J	184 mm
L	260 mm
L1	83 mm
N	25 mm
N1	36 mm
S	25,4 mm
Bolt (G)	M20
Weight	6,5 Kg
Basic dynamic load rating (C)	52,4 kN
Basic static load rating (C0)	36,2 kN
Category	Mounted Units & Inserts
Inventory	0.0
Manufacturer Name	FYH BEARING UNITS
Minimum Buy Quantity	N/A
Weight / Kilogram	0
Product Group	M06110

UCPX11 Bearing 2D drawings and 3D CAD models