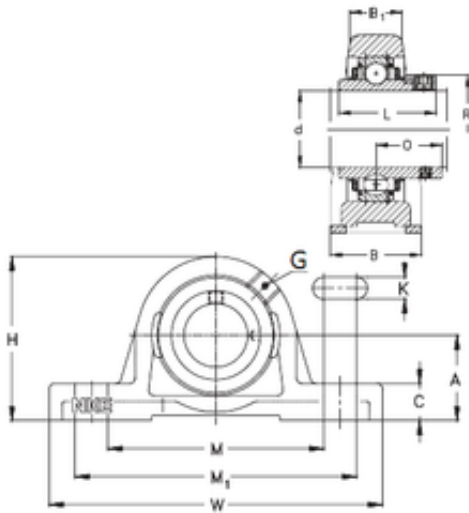




ASAHI FORGE OF AMERICA BEARING CORP.



NKE PASE35-N bearing units

Bearing No. PASE35-N

Bore Diameter	35 mm
Width	45 mm
d	35 mm
O	29,4 mm
A	47,6 mm
B	45 mm
B1	27 mm
C	19 mm
H	93 mm
K	14 mm
L	38,9 mm
M	119,5 mm
M1	132,5 mm
R	51 mm
W	163 mm
Thread (G)	R1/8 "

PASE35-N Bearing 2D drawings and 3D CAD models