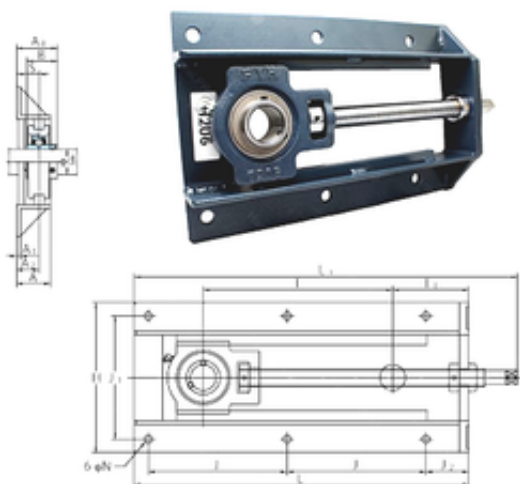




ASAHI FORGE OF AMERICA BEARING CORP.

FYH UCTH211-300 bearing units

Bearing No. UCTH211-300



UCTH211-300 Bearing 2D drawings and 3D CAD models

Bore Diameter	55 mm
Width	141 mm
d	55 mm
A0	71,4 mm
T1	141 mm
A	65 mm
A1	6 mm
B	55,6 mm
H	304 mm
J	230 mm
L	545 mm
L1	629 mm
N	15 mm
S	22,2 mm
T	291 mm
Bolt (G)	M12
A2	38 mm
J1	240 mm
J2	63 mm
Weight	20,1 Kg
Basic dynamic load rating (C)	43,4 kN
Basic static load rating (C0)	29,4 kN