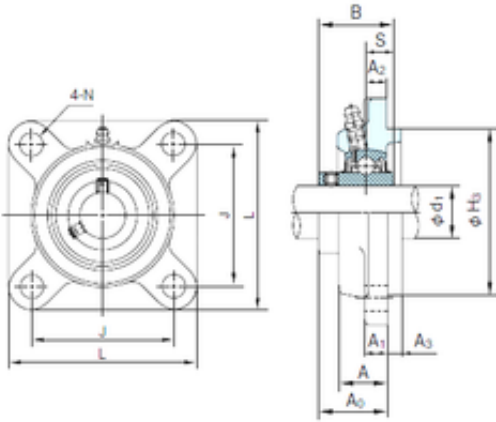




ASAHI FORGE OF AMERICA BEARING CORP.

NACHI UCFS306 bearing units

Bearing No. UCFS306



UCFS306 Bearing 2D drawings and 3D CAD models

| | |
|---------------|--------|
| Bore Diameter | 30 mm |
| d1 | 30 mm |
| H3 | 90 mm |
| A0 | 36 mm |
| A | 24 mm |
| A1 | 15 mm |
| B | 43 mm |
| J | 95 mm |
| L | 125 mm |
| N | 16 mm |
| S | 17 mm |
| Bolt (G) | M14 |
| A2 | 10 mm |
| A3 | 8 mm |